

## 800/EP 400/3 3+2 H58 HA

Belt range Rubber Item: BR110000144  
Belt specification 800/EP 400/3 3+2 H58 HA

**Dimensions of the belt**      **standard**      **unit**      **acc. DIN**

Belt width	800	mm	22102
Total thickness of belt	9,1	mm	22102
Top cover thickness	4,0	mm	22102
Belt weight	+/- 11,3	kg/m <sup>2</sup>	22102

**Tension member**      **standard**      **unit**      **acc. DIN**

Type of fabric x number of plies      3

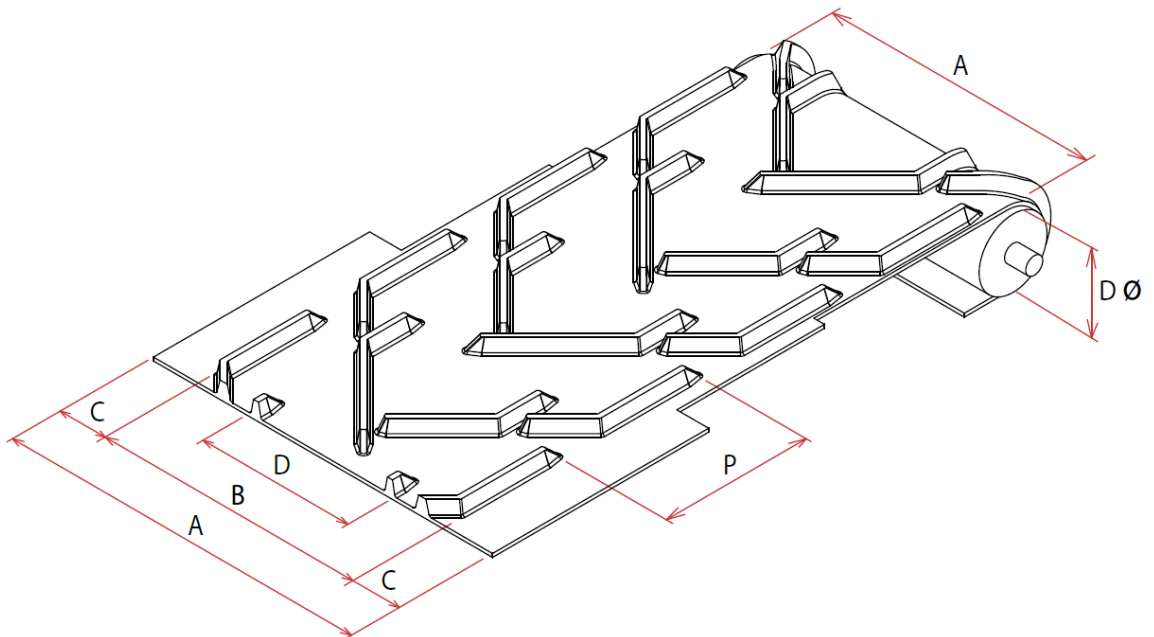
**Rubber of the belt cover**      **standard**      **unit**      **acc. DIN**

Elongation at break	> 500	%	53504
Abrasion	> 120	mm <sup>3</sup>	53516
Tensile strength	> 250	Min, Kg/cm <sup>2</sup>	53504
Hardness	60 +/- 5	Shore A	53505

**Separation strength**      **standard**      **unit**      **acc. DIN**

Top cover to ply	12	Kg/in	22102
Bottom cover the ply	12	Kg/in	22102

Belt elongation at break	10	Min, %
Belt elongation at 10% load	4	Max, %



Note: new knowledge and experience may cause changes within a short period of time without prior notification. LBS Conveyor Belts BV accepts no responsibility for suitability, conditions for application or processing results. For the most current information you can contact our sales department.