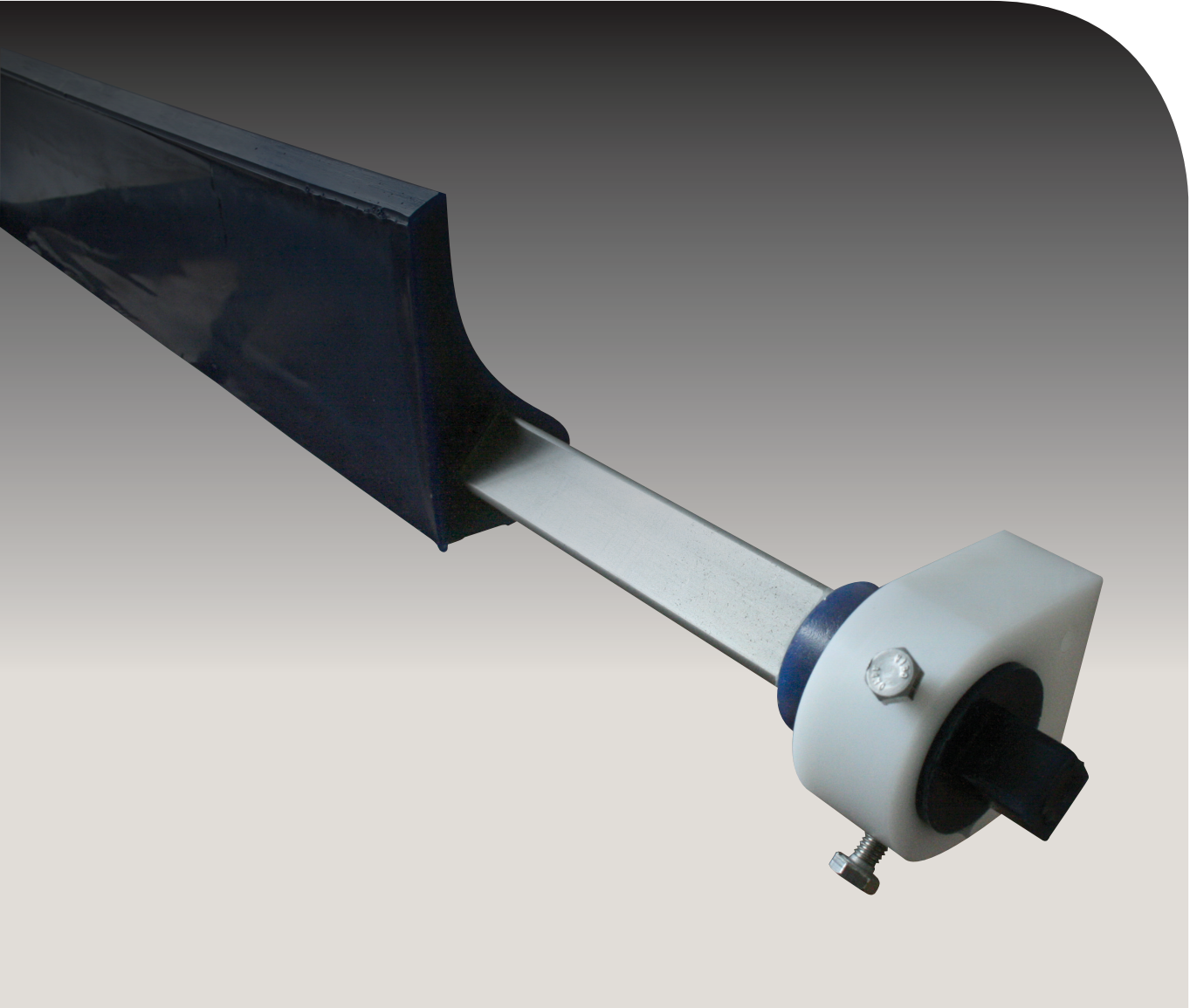


LBS

conveyor belts



PIKE PRE-SCRAPER
FOR CONVEYOR BELTS
WITHIN THE FOOD INDUSTRY

endless in service and innovation

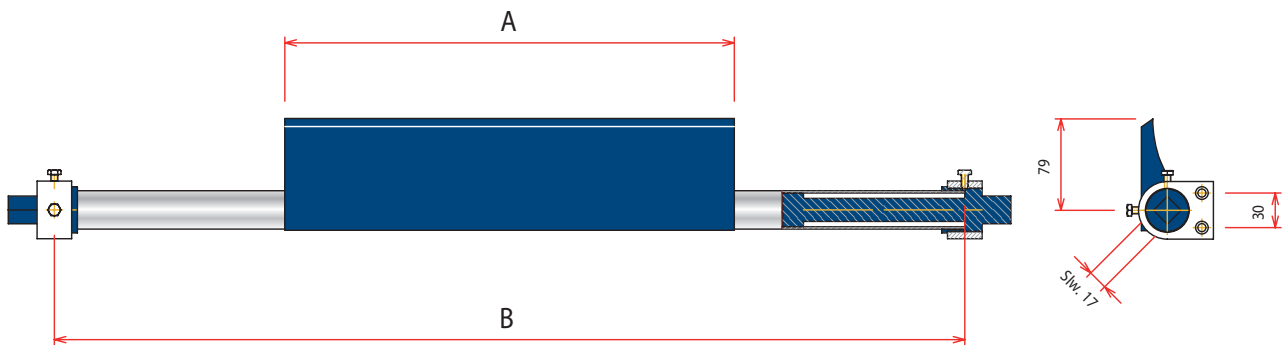
PIKE Kopafschraper

If you are experiencing problems caused by product residues sticking to your conveyor belt you can keep it clean with a scraper. LBS Emmen's PIKE pre-scraper has been developed especially for the food industry and is FDA approved. The PIKE pre-scraper will help you to keep your conveyor belt and system clean.

The scraper blade of the PIKE pre-scraper is made of elastic polyurethane to ensure that it can adapt to unevenness in the surface of the conveyor belt. The scraper blade pressure can be continuously adjusted using torsion elements. The scraper blade is cast as a whole around a stainless steel bearing arm so that no seams or openings will be formed during the production.

The PIKE pre-scraper has a simple modular structure that makes it very easy to attach and remove.

This also keeps maintenance and the replacement of parts simple.



PIKE Pre-Scraper

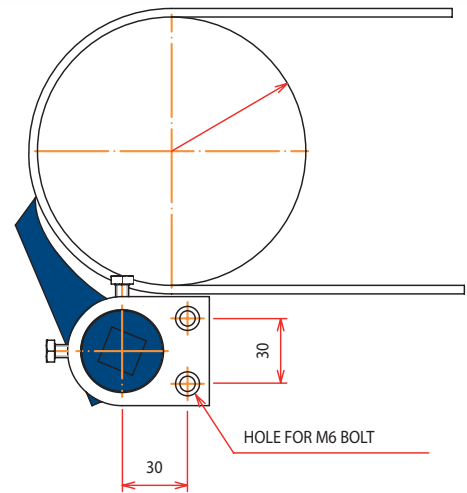
| Type | Belt width | Colour | FDA | A | B | Torsion elements |
|-------------------|------------|--------|-----|----------|----------|------------------|
| PIKE 300 | 300 mm | ■ | ✓ | 290 mm | 550 mm | 1 |
| PIKE 400 | 400 mm | ■ | ✓ | 390 mm | 650 mm | 1 |
| PIKE 500 | 500 mm | ■ | ✓ | 490 mm | 750 mm | 1 |
| PIKE 600 | 600 mm | ■ | ✓ | 590 mm | 850 mm | 2 |
| PIKE 700 | 700 mm | ■ | ✓ | 690 mm | 950 mm | 2 |
| PIKE 800 | 800 mm | ■ | ✓ | 790 mm | 1.050 mm | 2 |
| PIKE 900 | 900 mm | ■ | ✓ | 890 mm | 1.150 mm | 2 |
| PIKE 1.000 | 1.000 mm | ■ | ✓ | 990 mm | 1.250 mm | 2 |
| PIKE 1.100 | 1.100 mm | ■ | ✓ | 1.090 mm | 1.350 mm | 2 |
| PIKE 1.200 | 1.200 mm | ■ | ✓ | 1.190 mm | 1.450 mm | 2 |

Other measurements available on request

Each PIKE pre-scraper is standard supplied with 2 torsion elements

Other colours and qualities available on request

- 1 Place the scraper against the drive pulley as shown in figure A. Avoid direct contact between the scraper blade and your flow of materials/products during production once it has been fitted.
- 2 Make two mounting points on your frame (with holes \varnothing 6.5 mm). Attach the mounting flanges (4) accompanying the top scraper to these points.
- 3 Reduce the stainless steel bearing arm (1) to the required length.
- 4 Slide the polythene bushings (3) onto either side of the stainless steel bearing arm. Now place the torsion elements (5) in the stainless steel bearing arm. (From PIKE 600 both torsion elements must be fitted to either side.)
- 5 Mount the assembled scraper on the frame.
- 6 Use the torsion elements (5) to set the scraper blade to the correct pressure. Maintain the correct pressure by turning the bolts in the mounting flanges (4).
- 7 Adjust the pressure of the scraper blade if required.

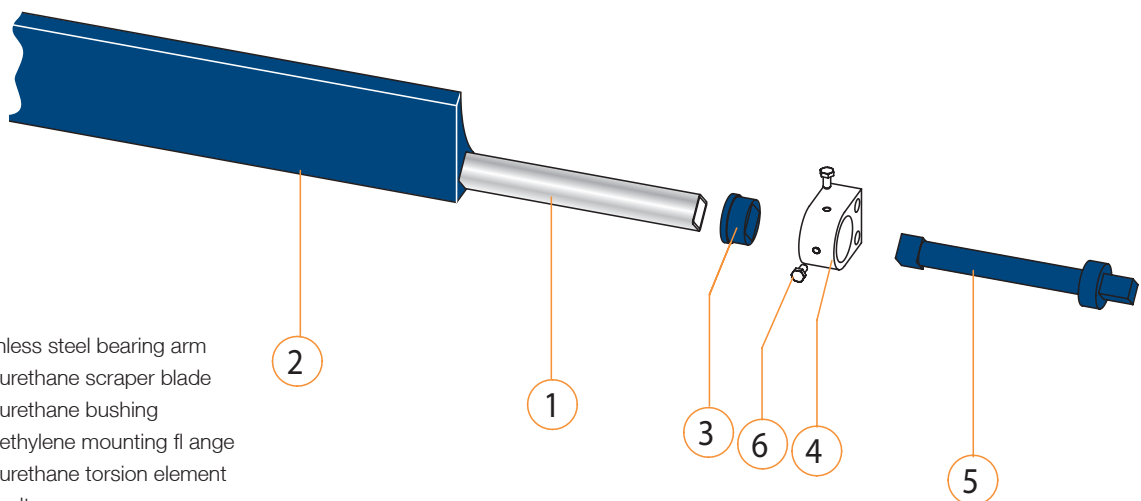


\varnothing 80 - \varnothing 200

Suitable for speeds up to approx. 1.6 m/sec

Figure A

- 1 – Stainless steel bearing arm
- 2 – Polyurethane scraper blade
- 3 – Polyurethane bushing
- 4 – Polyethylene mounting flange
- 5 – Polyurethane torsion element
- 6 – M6 bolt



PROBELL[®]

hotcleat[®]
POWERED BY LBS

Ecocleat[®]
BY LBS

MultiCutter[®]
BY LBS

Synthetic conveyor belts
Rubber conveyor belts
Synthetic modular belts and chains
Drive, timing and round belts
Synthetic gauze belts
Special endless belts
Components for belt conveyors
Technical rubber and plastics
Service, installation and maintenance



endless in service and innovation



LBS
conveyor belts

LBS Emmen bv
Phileas Foggstraat 48
NL-7825 AL Emmen
The Netherlands

Phone +31 (0)591 668220
Fax +31 (0)591 668239
Internet www.lbs.cc
E-mail info@lbs.cc

All texts and pictures in this Brochure are merely informative with no official or legal basis. For more information please contact us.

00.359.466-Version 2